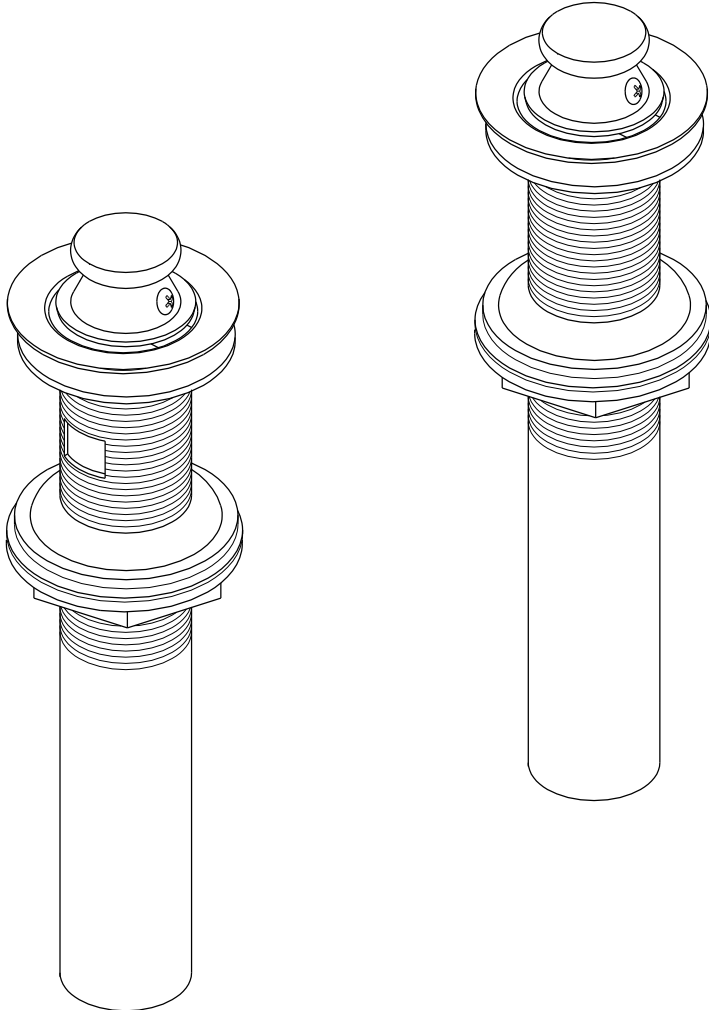


# ***KINGSTON BRASS***

**THE TRADITION OF FINE BRASS**



[www.kingstonbrass.com](http://www.kingstonbrass.com)

TOLL-FREE CUSTOMER SERVICE: 1-877-2-KBRASS

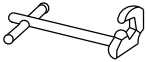
TECHNICAL SUPPORT E-mail: [service@kingstonbrass.com](mailto:service@kingstonbrass.com)

12775 Reservoir Street, Chino, CA91710

### INSTALLATION INSTRUCTIONS

For Use With KB's Sink Drain with or without Overflow

Need Tools:



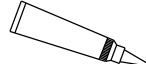
Basin Wrench



Adjustable Wrench



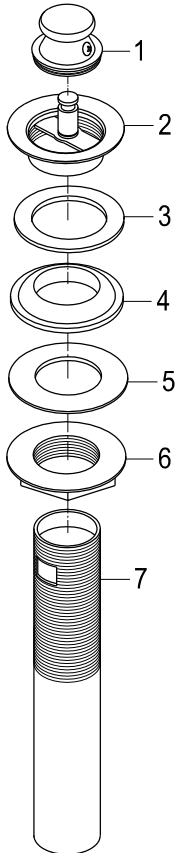
Teflon Tape



Silicone Sealant



Screwdriver



### INSTALLATION:

1. Release drain flange (2) from drain body(7) then remove rubber washer(3), rubber gasket(4), plastic washer(5) and metal nut(6) from drain body.
2. Insert drain flange(2) and rubber washer(3) through the drain opening in the sink.
3. Thread rubber gasket(4) and plastic washer(5) into the drain body and then tighten the metal nut(6) on the drain body to push rubber gasket(4) up against the bottom of drain opening. Tighten the nut with slip-joint pliers.
4. Apply Teflon tape on both tailpiece thread connection and drain body.
5. Turns handles on faucet to the full on position and inspect to insure that there is no leaking underneath lavatory.